

Application

Designed to house electrical and electronic controls, instruments, and components. Provides protection from dust, dirt, oil and water. Consoles can be mounted on either of two sides to give a control surface inclined at 30° or 60°. Can be mounted on desks, machines, or pedestals.

Construction

- 0.063" carbon steel.
- Seams continuously welded and ground smooth.
- Flange trough collar around all sides of door opening.
- Removable hinges.
- Pour in place oil and water resistant gasket.
- Standoffs provided for mounting optional subpanels.
- Cable door stops included on SCE-12C**, SCE-16C** & SCE-20C**.
- Black mini quarter turn latches as required.
- Latches are opened or closed with a screwdriver.
- Ground studs on door and body.
- Mounting holes in back.

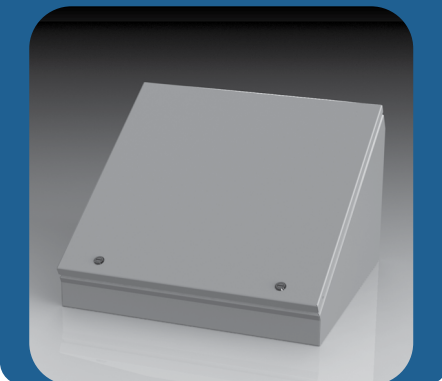
Finish

ANSI-61 gray powder coated inside and out. Optional subpanels powder coated white.

IS4 Industry Standards

NEMA Type 3R, 4, 12 & Type 13
UL Listed Type 3R, 4 & 12
CSA Type 3R, 4 & 12
IEC 60529 IP66

***To maintain Type 3R listing, drainage is required. Install equally rated drainage device or drill a 1/8 to 1/4 inch hole in the bottom center of the enclosure, approximately 1 inch from the right, and 1 inch from the left for drainage, use listed rain-tight or wet location hubs.



ELJ CONSOLES

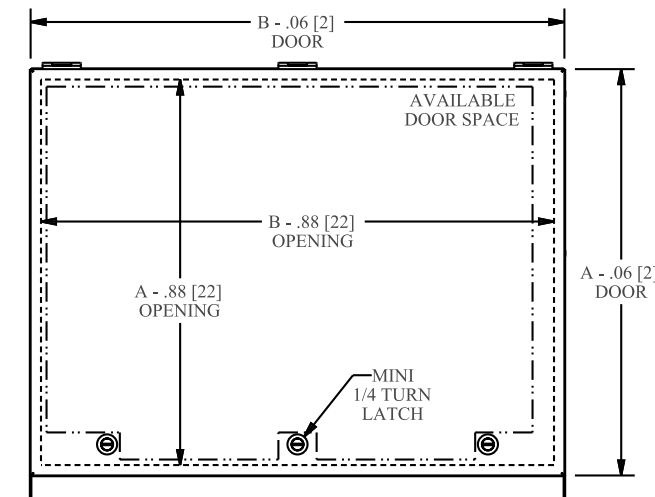
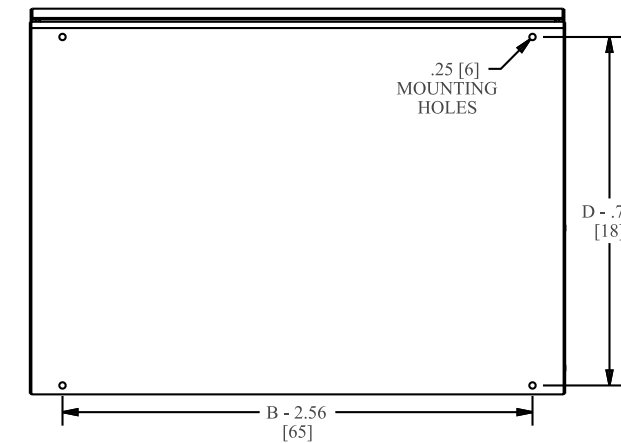
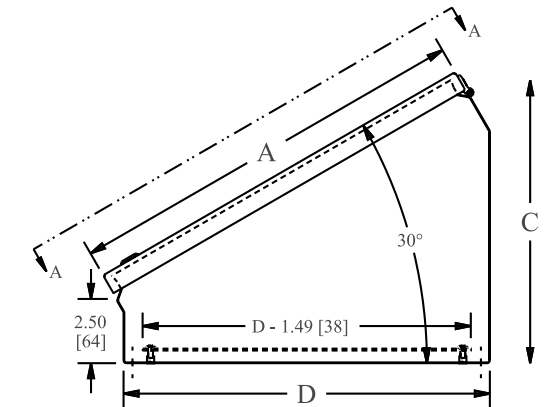
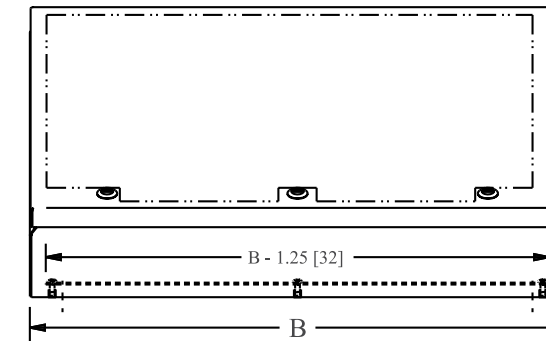
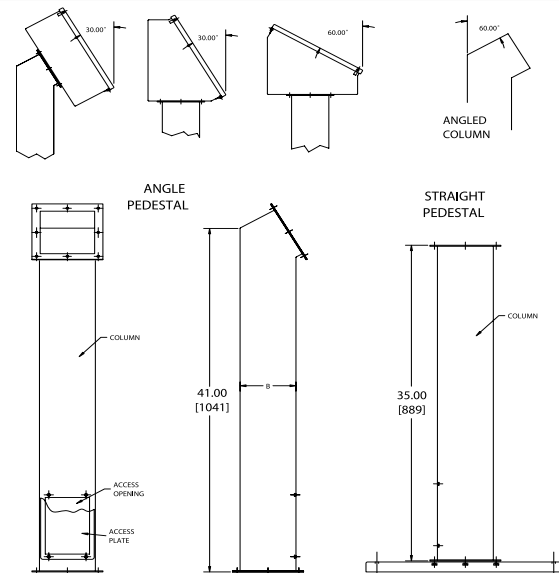
Enclosure Product Code A1				Subpanel (P3)			
Catalog No.	Height (A)	Width (B)	Depth (C)	Depth (D)	Catalog No.	Panel Height (E)	Panel Width (B)
SCE-8C8ELJ	8.00	8.00	7.09	7.44	SCE-8P8C	6.00	6.75
SCE-8C12ELJ	8.00	12.00	7.09	7.44	SCE-8P12C	6.00	10.75
SCE-8C16ELJ	8.00	16.00	7.09	7.44	SCE-8P16C	6.00	14.75
SCE-8C20ELJ	8.00	20.00	7.09	7.44	SCE-8P20C	6.00	18.75
SCE-12C12ELJ	12.00	12.00	9.09	10.91	SCE-12P12C	9.50	10.75
SCE-12C16ELJ	12.00	16.00	9.09	10.91	SCE-12P16C	9.50	14.75
SCE-12C20ELJ	12.00	20.00	9.09	10.91	SCE-12P20C	9.50	18.75
SCE-12C24ELJ	12.00	24.00	9.09	10.91	SCE-12P24C	9.50	22.75
SCE-16C16ELJ	16.00	16.00	11.09	14.38	SCE-16P14	15.00	13.00
SCE-16C20ELJ	16.00	20.00	11.09	14.38	SCE-16P20C	12.88	18.75
SCE-16C24ELJ	16.00	24.00	11.09	14.38	SCE-16P24C	12.88	22.75
SCE-16C30ELJ	16.00	30.00	11.09	14.38	SCE-16P30C	12.88	28.75
SCE-20C20ELJ	20.00	20.00	13.09	17.84	SCE-20P20C	16.38	18.75
SCE-20C24ELJ	20.00	24.00	13.09	17.84	SCE-20P24C	16.38	22.75
SCE-20C30ELJ	20.00	30.00	13.09	17.84	SCE-20P30C	16.38	28.75

CABLE DOOR STOP

Catalog No.	Description	For use on	Product Code
SCE-CBL15	15 inch 135° Door Stop	SCE-12C** & SCE-16C**	P2
SCE-CBL20	20 inch 135° Door Stop	SCE-20C**	P2

ACCESSORY COLUMNS AND BASES

Catalog No.	Description	For use on	Product Code
SCE-18SBASE	Pedestal Base	18.00 x 18.00 x 1.00	P2
SCE-24SBASE	Pedestal Base	24.00 x 24.00 x 1.00	P2
SCE-44CCOL	Straight Column	4.00 x 4.00	P2
SCE-44PBCOL	Angled Column	4.00 x 4.00	P2
SCE-66CCOL	Straight Column	6.00 x 6.00	P2
SCE-66PBCOL	Angled Column	6.00 x 6.00	P2



VIEW A-A

NOTES:
Provisions for cable stops on door and body when "A" >= 12.00 [305]

LATCH NOTES:
One latch centered on door horizontally if "B" <= 14.00 [356]

Two latches located 3.00 [76] from right & left side of door if "B" > 14.00 [356]

Omit center latch if "B" > 14.00 [356] and <= 20.00 [508]

SUB-PANEL NOTES:
Provisions only for sub-panel in bottom.